

オリムパス オリジナルキット
~ Olympus original kit ~

PA-571
Puppy and house small item
Design: Natsuko Mikami

Bag

◆ **Instruction** ◆

◆ Check the material included and read the instruction before making. ◆
Finished size : 23cm×33cm×12cm Handle length 30cm

This kit includes: Fabric (11kinds)· Adhesive batting· Adhesive interlining· Beads (2kinds)· Magnet button· Tape· Embroidery thread (3kinds)· Instruction· Full size template sheet

Things required : Needles for sewing and embroidery· Marking pins· Sewing threads (Similar color to the fabric color)· Basting threads· Marking pen· Ruler· Scissors· Cardboard paper· Iron· Pylar

※Sewing machine may also be used for this kit.

Tip

- Use marking pins to avoid the fabric to be scooped.
- A piece of embroidery thread consists of 6 strands. Pull strands from it respectively and put the designated number of strands together for use.
- Use a back stitch at the beginning and ending of your stitch.

1. Refer to layout and cut fabrics.

Cut out all templates and arrange them on fabrics before cutting.

Layout

• This is seen from wrong side.

R = Right side
W = Wrong side

■ (Dark brown) ■ (Yellow) ■ (Brown) ■ (Green) ■ (Lame green) ■ (Check Brown) ■ (Check Pink) ■ (Check Beige)

■ (Solid Beige) ■ (Lame Light green) ■ Adhesive interlining ※No seam allowance ■ Adhesive batting ※No seam allowance is needed. ■ (Check Beige)

Flower a Flower b

Ear b Tail a Ear a Tail b Body b Face b

Handle ※No seam allowance

Tab

※Put center of gusset, main body a, b pocket at center between lames.

※No seam allowance

※No seam allowance

3cm 3cm

How to applique Use cardboard template and arrange shape with iron.

• Piece with circle line

Running stitch at center of seam allowance.

Put template inside and pull thread. Arrange shape with iron.

Remove template and stitch piece at top fabric with whipstitch.

Clip at pitted place.

Running stitch at center of seam allowance.

Put template inside and pull thread. Arrange shape with iron.

Remove template and stitch piece at top fabric with whipstitch.

2. Applique each part at main body A.

① Applique A~C.

Turn seam allowance to A side.

Open

Applique B.

Put template on wrong side.

Cut away extra seam allowance.

Arrange shape with iron. Do not fold gray colored seam allowance.

Applique parts at main body A with whip stitch. ※Refer to full size design

Whip stitch
3 Out
1 Out 2 In

Running stitch
Make stitch size as the same.
3 Out
2 In 1 Out

② Applique D~F.

Open.

Applique F.

Put template on wrong side.

Arrange shape with iron. Do not fold gray colored seam allowance.

Applique parts at main body A with whip stitch. ※Refer to full size design.

Cut away extra seam allowance.

No.1

③ Applique L~O.

Open

Applique M and O.

Put template on wrong side.

Arrange shape with iron. Do not fold gray colored seam allowance.

Applique parts at main body A with whip stitch. ※Refer to full size design.

Cut away extra seam allowance.

④ Applique G~K.

Open

Applique I and K.

Put template on wrong side.

Arrange shape with iron. Do not fold gray colored seam allowance.

① Applique G.
② Applique H~K at main body with whip stitch. ※Refer to full size design.

⑤ Make flower a-b.

Flower a (W)

Flower a (R)

Flower a (R)

Flower a (R)

Flower a (R)

0.2cm

① Running stitch at center of seam allowance.

② Put template on it and draw thread. Arrange shape with iron.

③ Remove template and stitch at 0.2cm from outline to attach flower to cover. Overlap beginning and end for two stitches.

④ Pull thread and make a knot. Put thread end in center.

⑤ Applique flower a with whipstitch. ※ Make flower b as the same way.

⑥ Finish main body (Front side).

Open

Main body B (W)

Main body A (R)

Put right side of main body A and B together. Stitch them together.

Applique tail a, body a, face a, ear a, flower a at main body in order. Then embroidery and attach beads. ※Refer to full size design.

Turn seam allowance to B side.

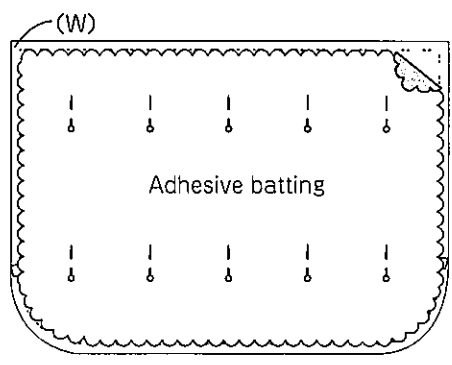
Turn seam allowance to B side.

Running stitch
5 Out 3 Out 1 Out
4 In 2 In

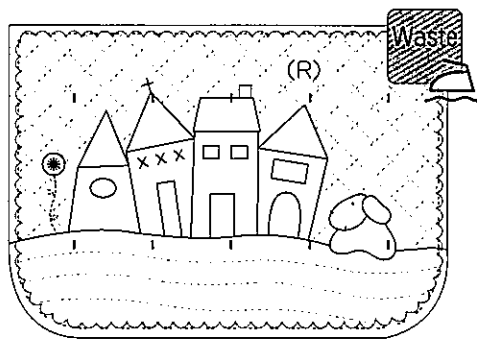
Straight stitch
5 Out 1 Out
3 Out
2 In 4 In

Lazy daisy stitch
4 In 3 Out
1 Out 2 In

OLYMPUS THREAD MFG. CO., LTD
(ALL RIGHTS RESERVED)



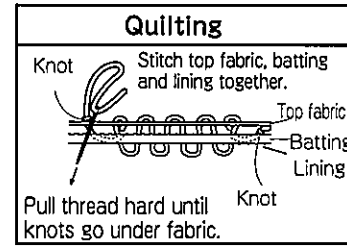
Put batting on it, and settle it with marking pins.



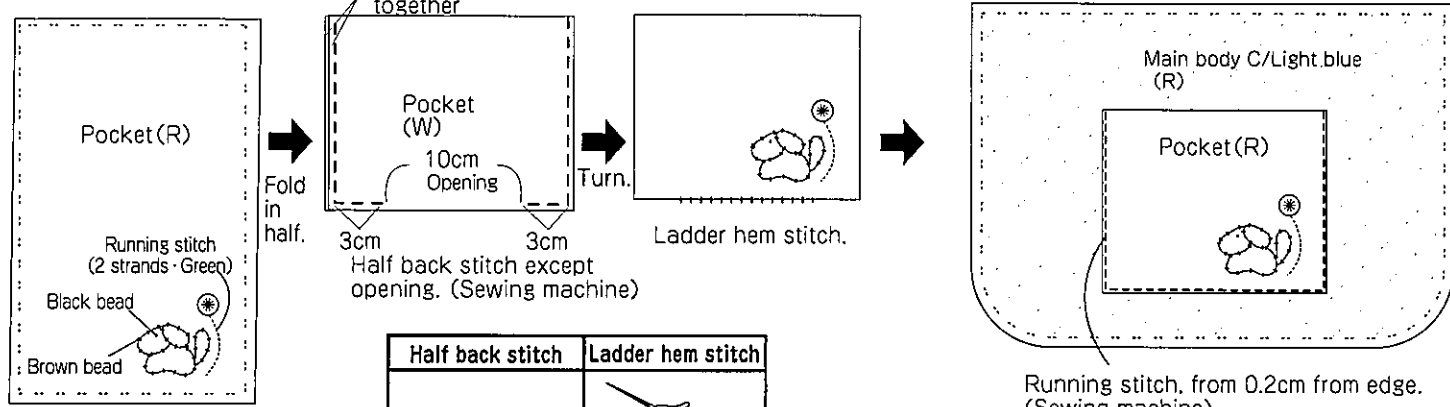
Press it with iron on right side. Then stitch quilting.
*Make main body C and gusset as the same way.

① Press it with iron to attach adhesive batting.

② Stitch quilting.
*Refer to full size design.

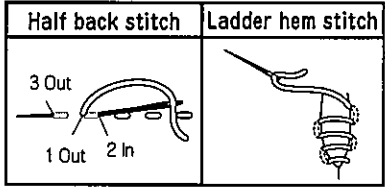


⑦ Make a pocket.



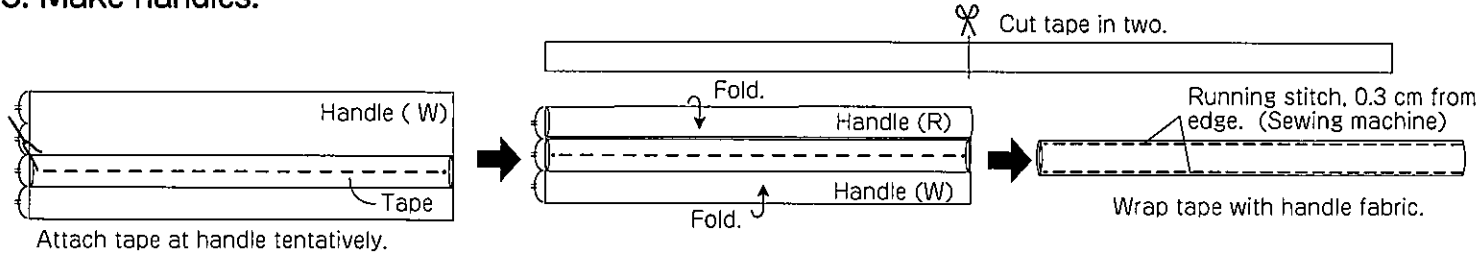
Applique tail b, body b, face b, Ear b and flower b in order.
*Refer to how to applique.

Then embroidery and attach beads.

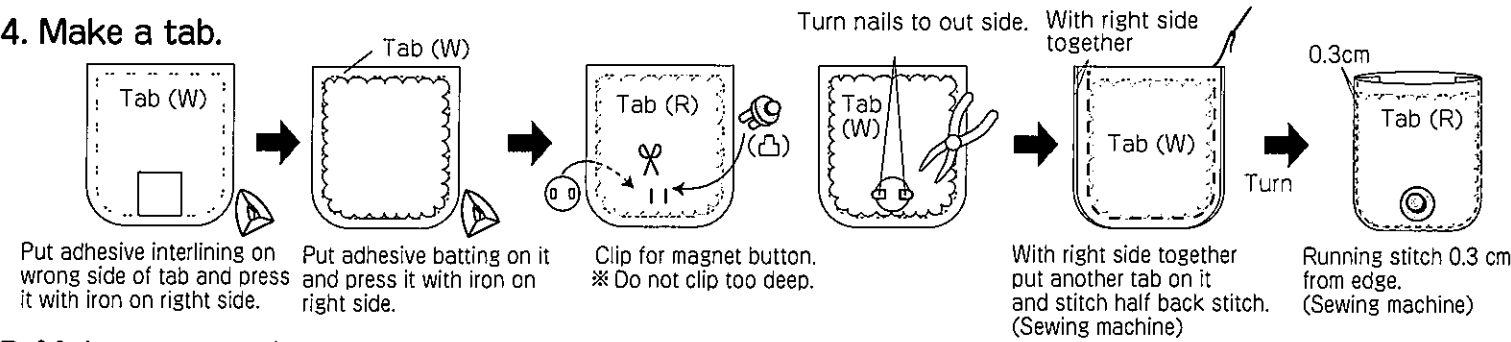


Running stitch, from 0.2cm from edge.
(Sewing machine)
*Refer to full size design for pocket position.

3. Make handles.

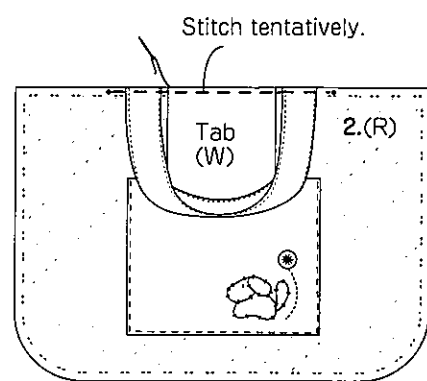
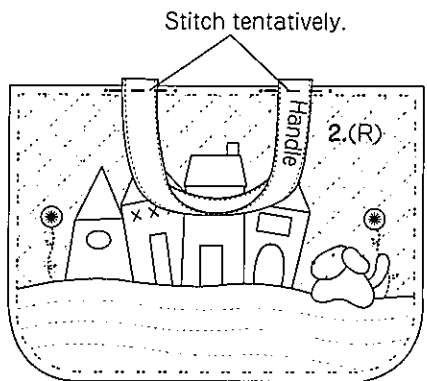


4. Make a tab.

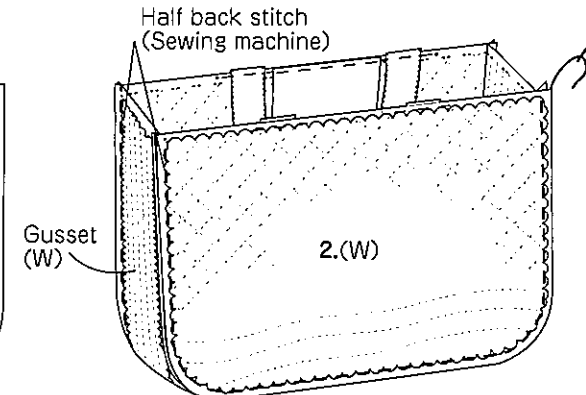


5. Make an outer bag.

① Stitch handle and tab tentatively at 2.

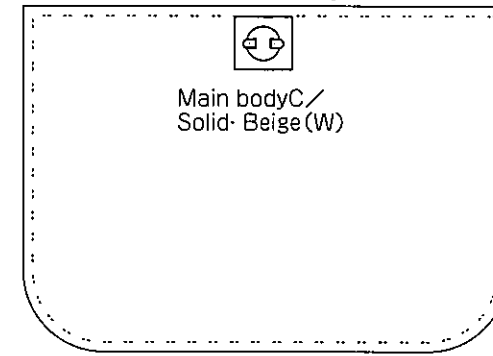


② Stitch main body and gusset together.



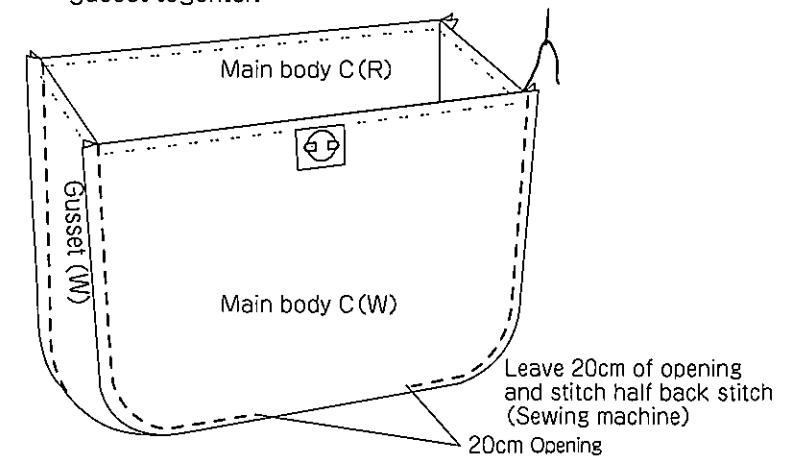
6. Make an inner bag.

① Attach adhesive interlining and magnet button (M) at wrong side of main body C.



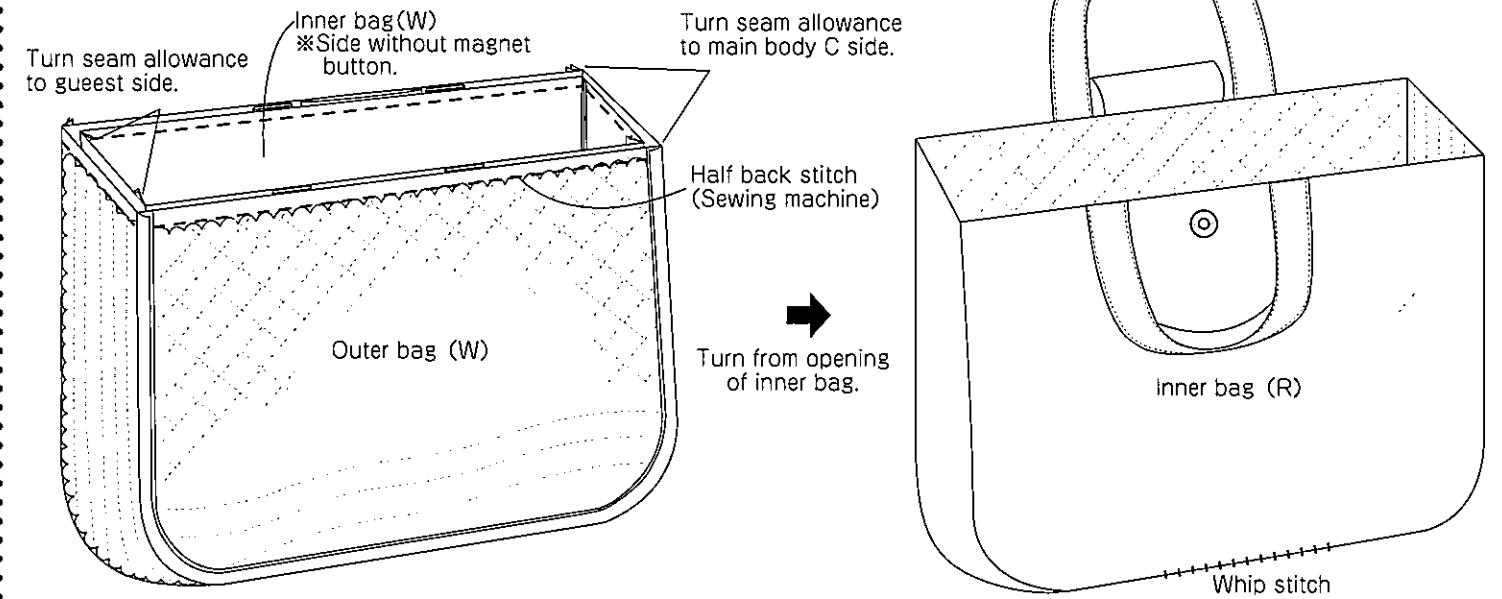
As the same way as 4., attach magnet button. (M)

② Like the same way outerbag, stitch main body C and gusset together.

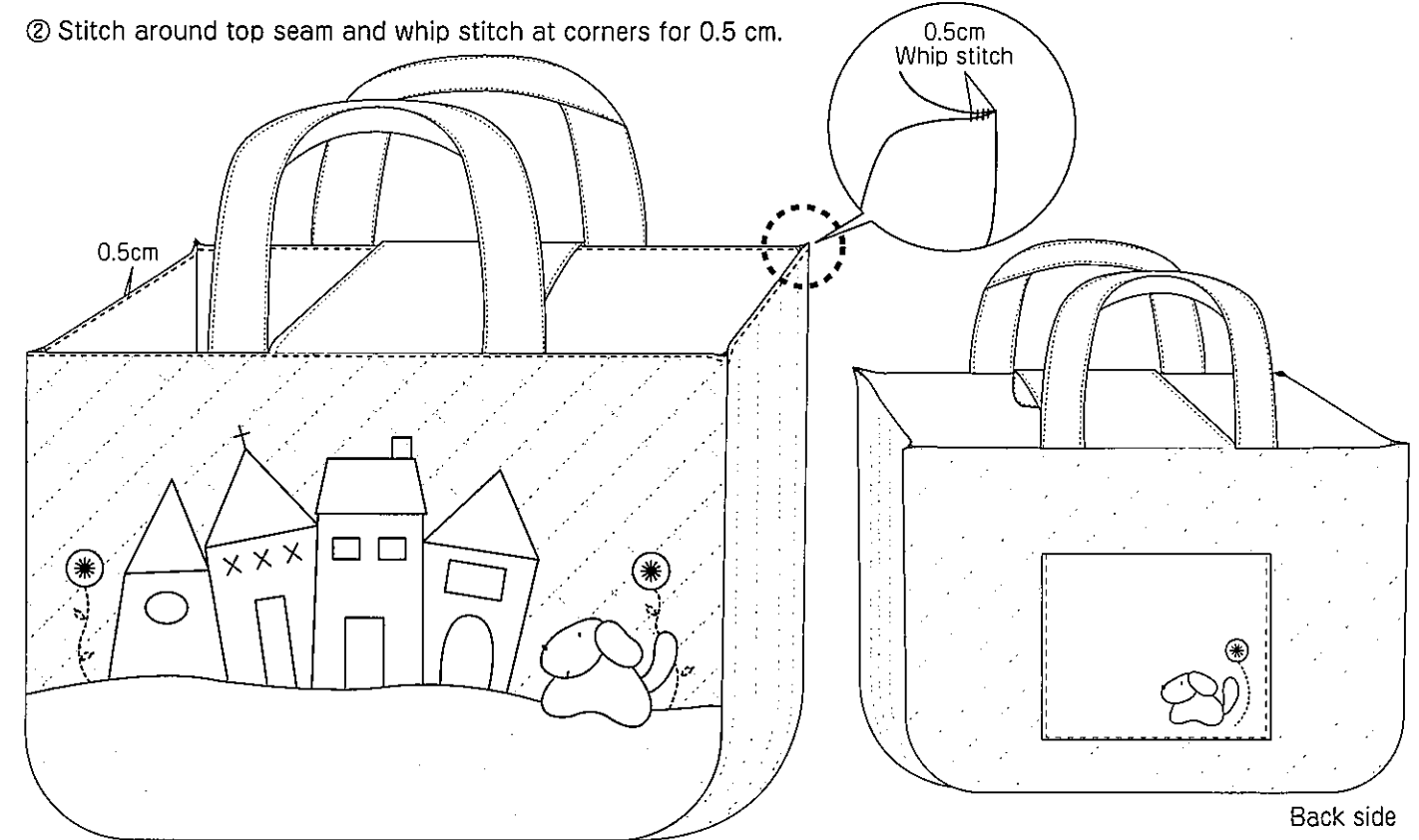


7. Finish a bag.

① Put right side of 5.② and 6.② together and stitch top seam.



② Stitch around top seam and whip stitch at corners for 0.5 cm.



DONE!