



Finished size
25cm x 28cm x 14cm
Handle length 32cm

This kit includes

Top fabric/Yarn dyed (11 kinds), Lining/Printed (1 kind)
Quilt batting (1 pce), Adhesive interlining (1 pce),
Embroidery thread (4 kinds) Tape with artificial leather,
Instruction, Full size template

Things required

Sewing needle, Marking pins, Embroidery needle,
Sewing thread (Similar color to fabric), Basting thread,
Scissors, Ruler, Marking pen, Iron, Cardboard paper
※ Sewing machine is also available.

How to use full size templates

- ① Cut templates along with cutting line.
- ② Referring to "Layout", put templates (face up) on wrong side of fabric.
- ③ Mark finished line and cutting line on fabric and cut fabric.
(After marking cutting lines, cut seam allowance of templates. Put them on fabric again and mark finished lines.)
- ④ After cutting fabric, glue templates of House, Scallap, Lane and hill to wrong side of your cardboard and use them when applique.

Tips

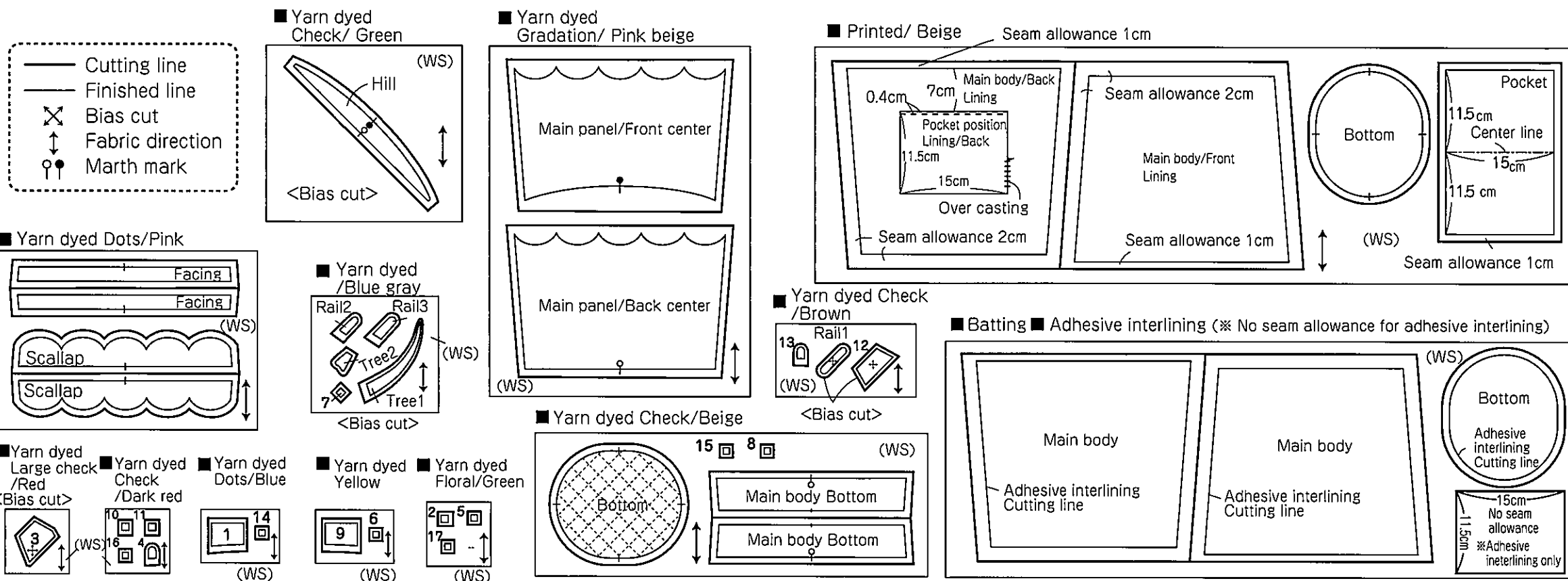
- Use your pins before stitching to avoid fabric to be scooped.
- When stitch fabrics together, use one back-stitch at beginning and ending.

Read instruction carefully before making.

RS=Right side
WS=Wrong side

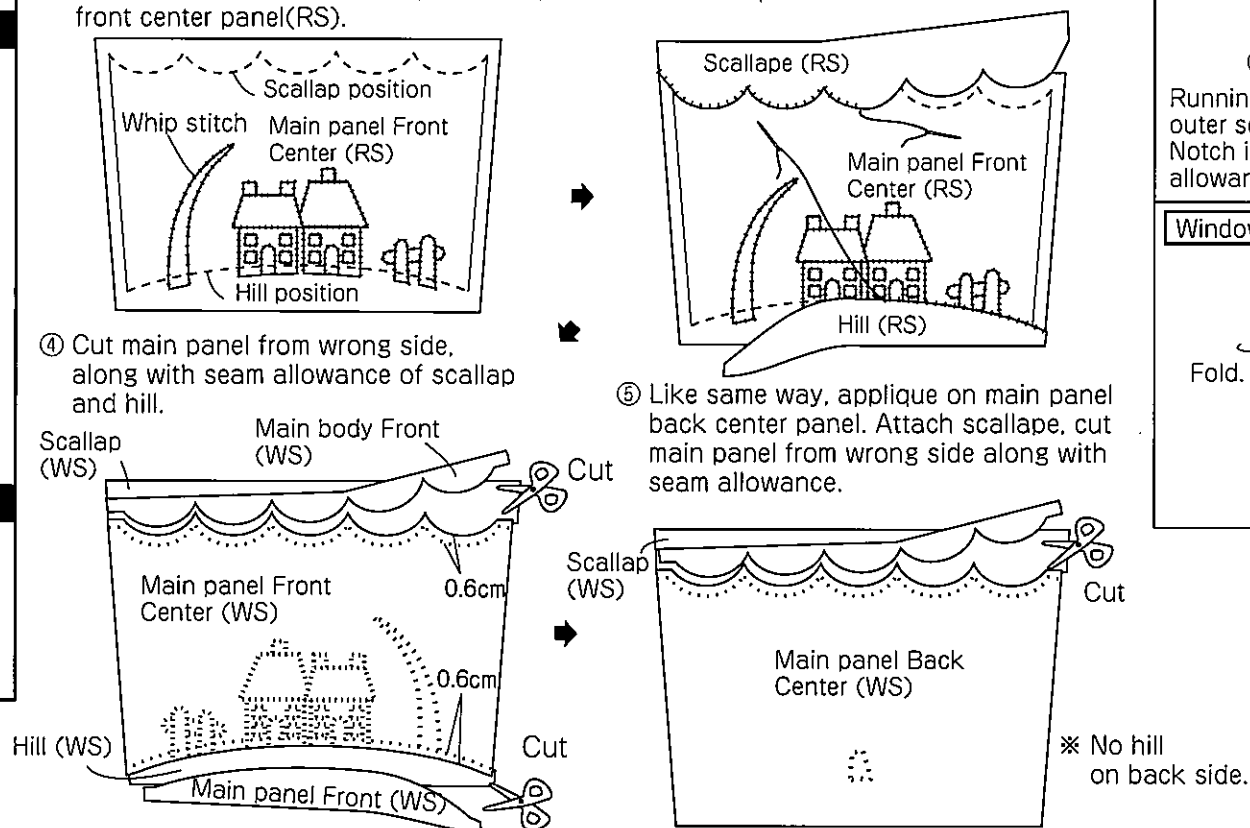
Layout

※Put templates(face up) on wrong side of fabric.
※ Arrange all templates on fabric before cutting.

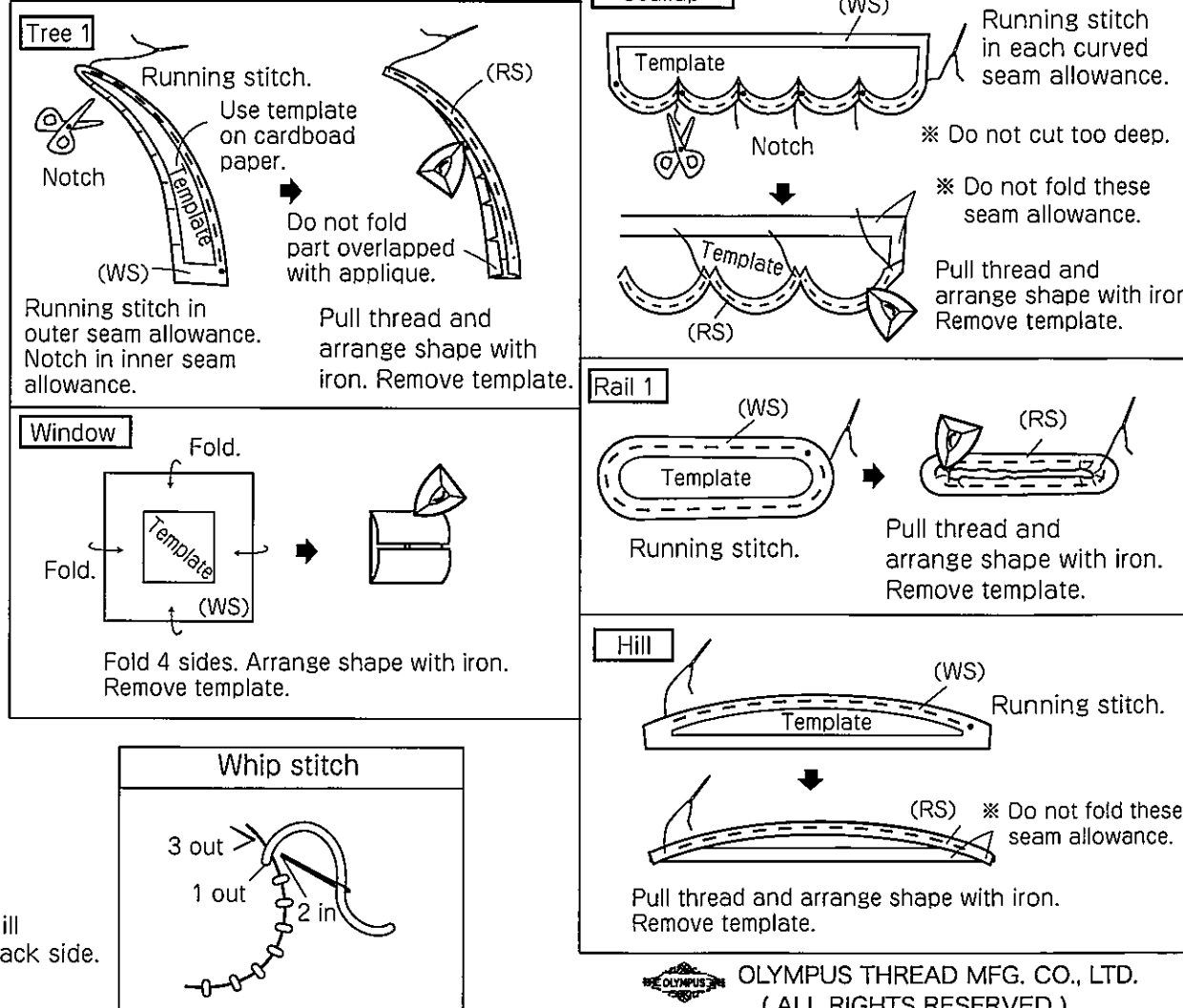


Making instruction

- ① Cut fabric. ※Refer to "Layout" and "How to use full size template".
- ② Applique on front and back side of main panel.
※Refer to "Full size finished design" and "how to applique", applique in order.
 - ① Mark applique design on main panel, front center panel.
 - ② Applique(tree, house and rail) on main panel, front center panel(RS).
 - ③ Applique (scallap and hill) on main panel front center panel(RS) with whip stitch.
- ④ Cut main panel from wrong side, along with seam allowance of scallap and hill.
- ⑤ Like same way, applique on main panel back center panel. Attach scallape, cut main panel from wrong side along with seam allowance.

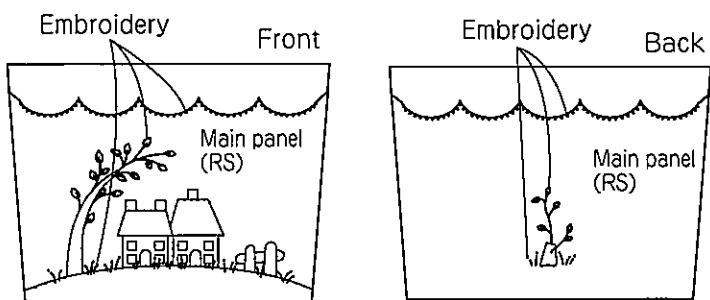


How to applique



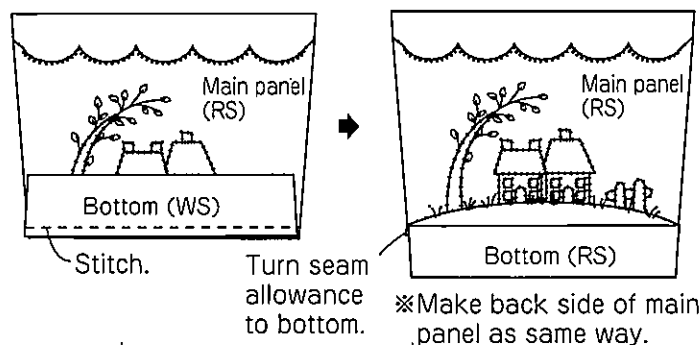
3 Embroidery.

Refer to full size finished design, embroidery on main panel.
 ※ Embroidery thread consists of 6 strands. Pull strands respectively and put designated number of strands together for use.
 ※ Refer to No. 2 for how to stitch.



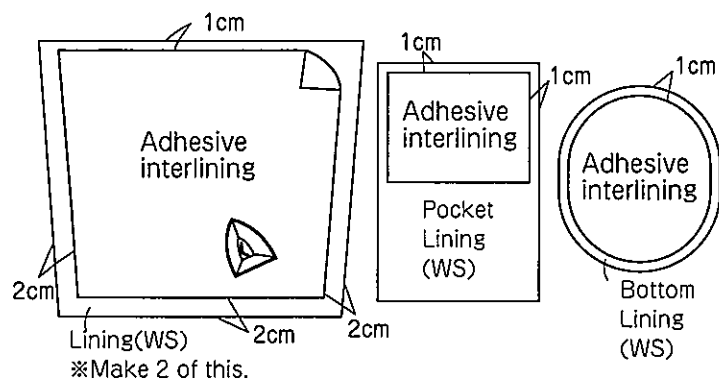
Embroidery threads:
 Light brown 1m x 5pcs for colonial knot stitch, Dark brown 1m x 5pcs, Brown red 1m, Green 1m for other stitch.

4 Put right side of 3 (main panel) and bottom panel together and stitch them together.

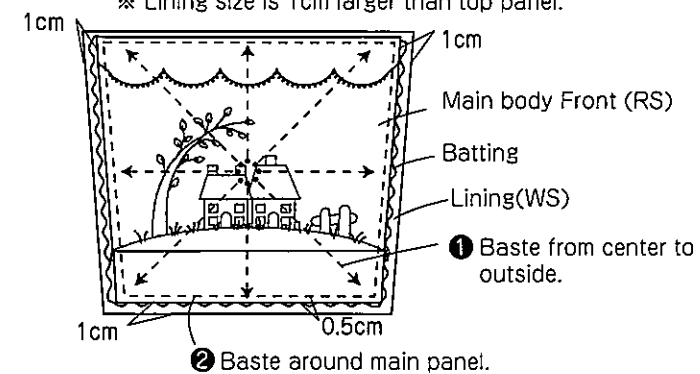


5 Attach adhesive interlining to lining and stitch quilting.

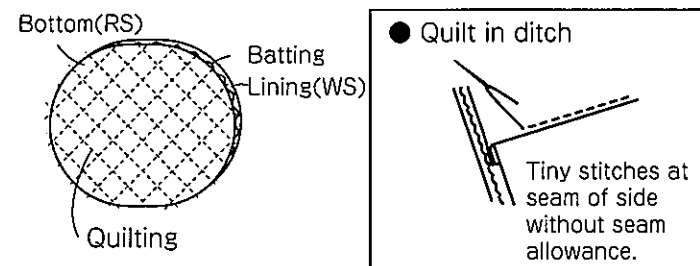
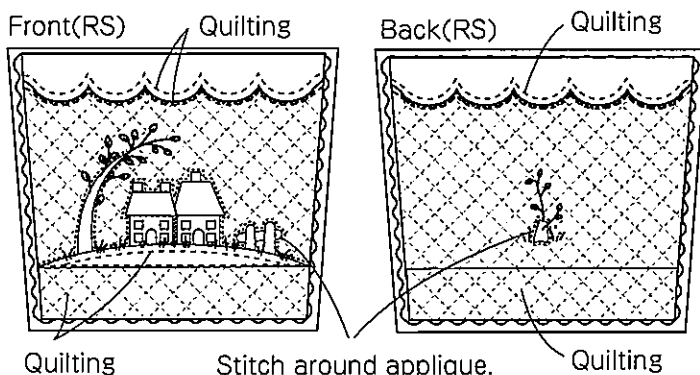
- ① Mark quilting line on top fabric.
- ② Attach adhesive interlining to lining with iron.



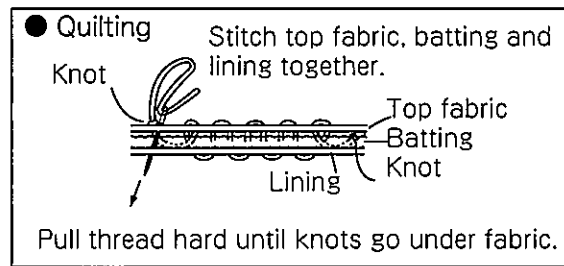
- ③ Like below picture, put fabric and batting together and baste them together.
 ※ Baste back and bottom like same way.
 ※ Lining size is 1cm larger than top panel.



- ④ Quilting lines and in ditch on ③
 ※ Refer to full size finished design.

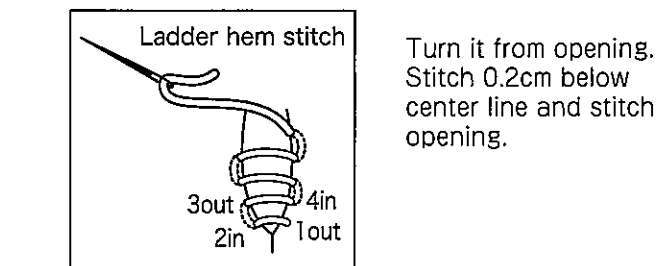
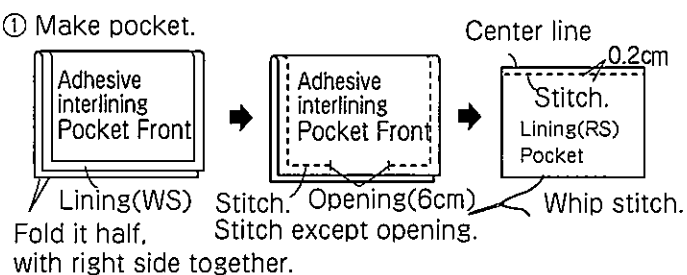


- ⑤ Remove basting threads.

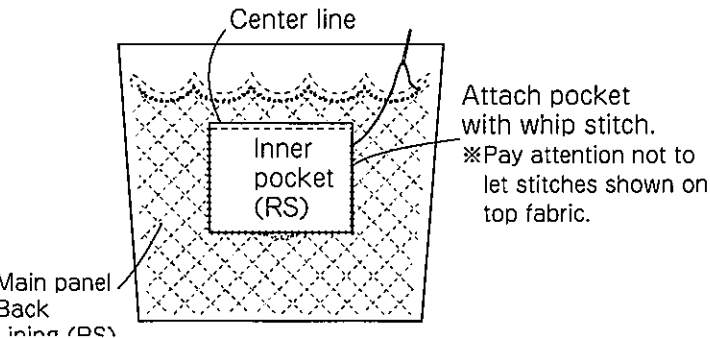


6 Make a bag.

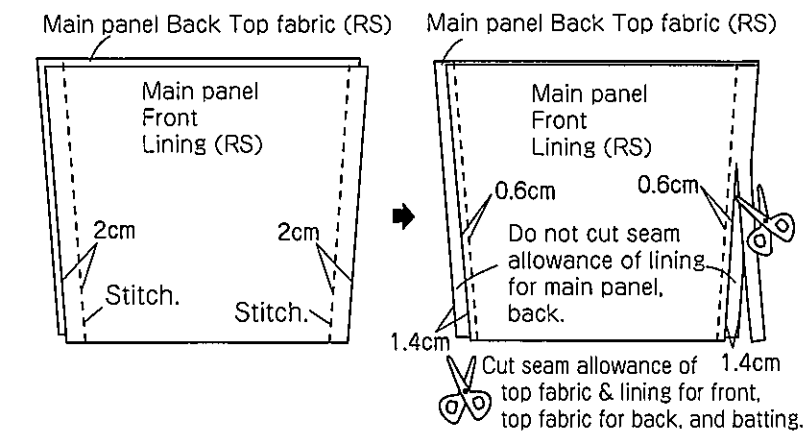
- ① Make pocket.



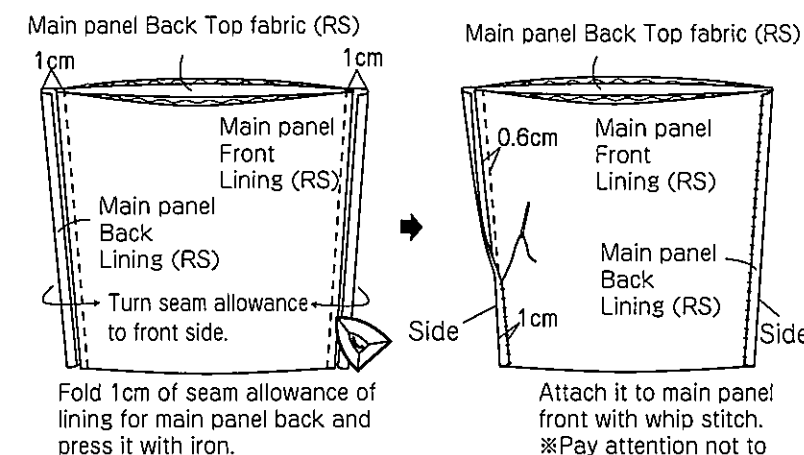
- ② Attach pocket to wrong side of main panel, back side.



- ③ Put right side of main panel front and back together and stitch side seam. Leave 0.6cm and cut away extra seam allowance.

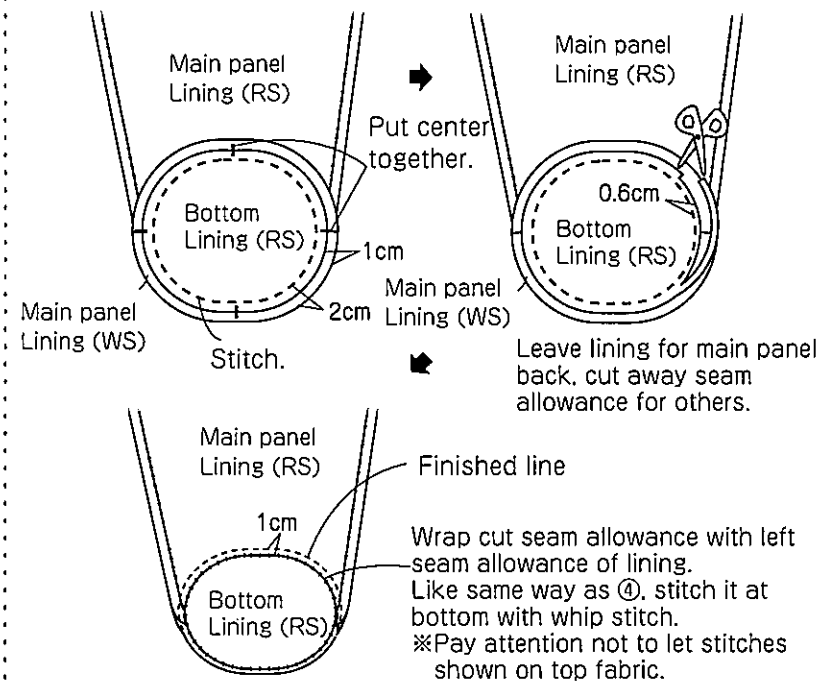


- ④ Wrap cut seam allowance with left seam allowance (lining for back) attach main panel front, with whip stitch.

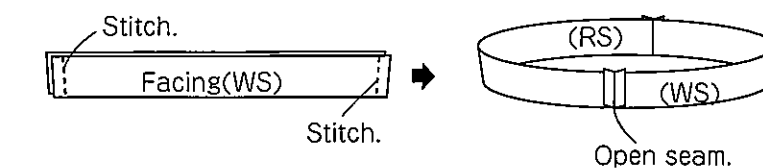


- ⑤ Attach bottom to bag.

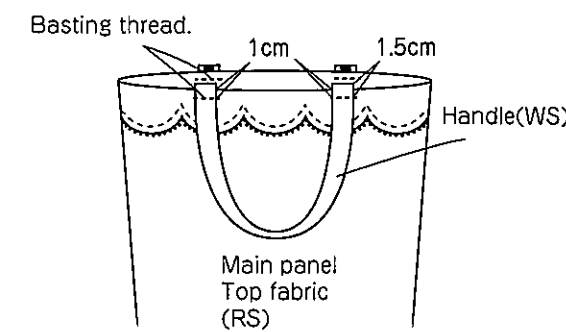
Put right side of main panel and bottom together. Wrap bottom seam allowance with lining and stitch it to bottom with whip stitch.



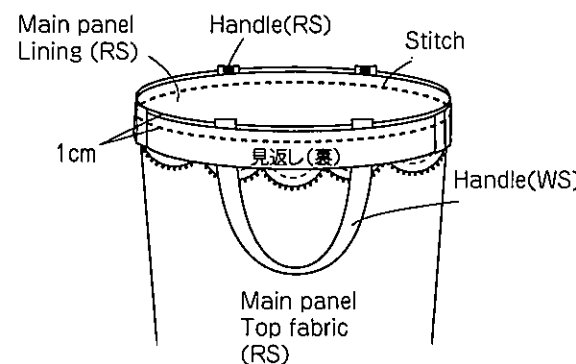
- ⑥ Put right side of facing together, stitch them together.



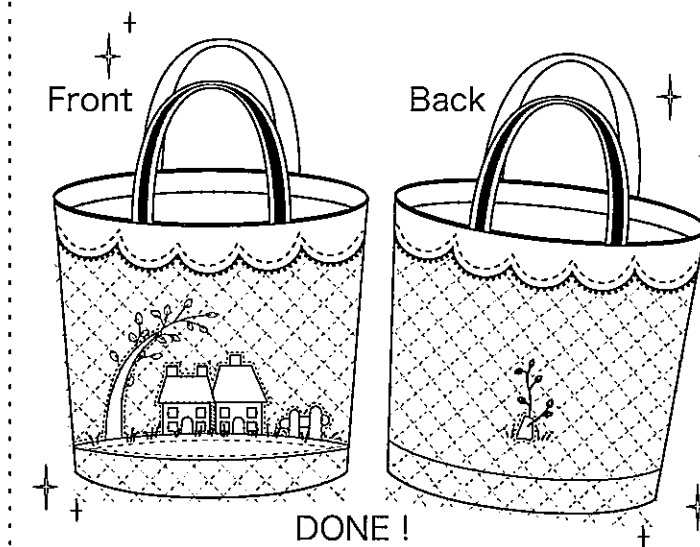
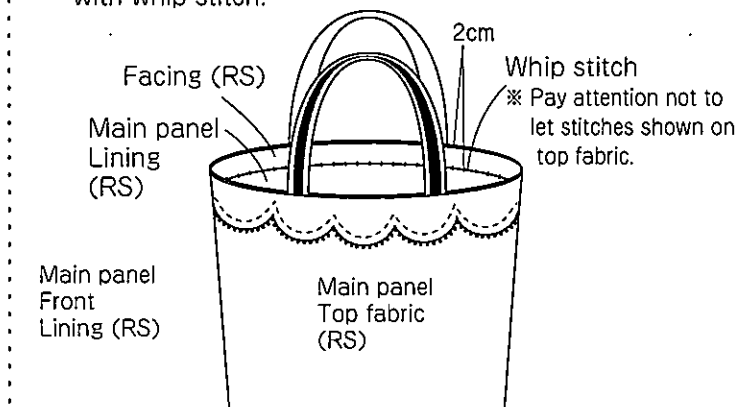
- ⑦ Cut tape for handle to make 2 pcs pf 35cm. Refer to full size finished design, attach handle as shown. (Stitch 1.5cm from end.)



- ⑧ Put right side of ⑥ and ⑦ together, stitch top seam together.



- ⑨ Fold 1cm of facing, attach it to lining with whip stitch.



DONE!

