

# Round bag with pocket

## Instruction

Finished size: 23cm x 33cm x 7.5cm

Shoulder beelt : 28cm



### Content

Top fabric (3 pcs), Lining (1 pce), Quilt batting (1 pce), Adhesive interlining(1 pce), Plastic button (4 pcs), Making instruction, Full size template sheet

### Things required

Sewing needle, Marking pin, Sewing thread (Similar color to fabric) Basting thread, Scissors, Ruler, Marking pen, Iron.  
\* Sewing machine is useful.

### How to use full size template

- 1 Cut out all templates along with cutting line.
- 2 Refer to right layout, put templates on wrong side of fabric.
- 3 Mark cutting and finished line on fabric and cut fabric. (Mark cutting line on fabric first and cut template along finished line. Then mark finished line on fabric.)

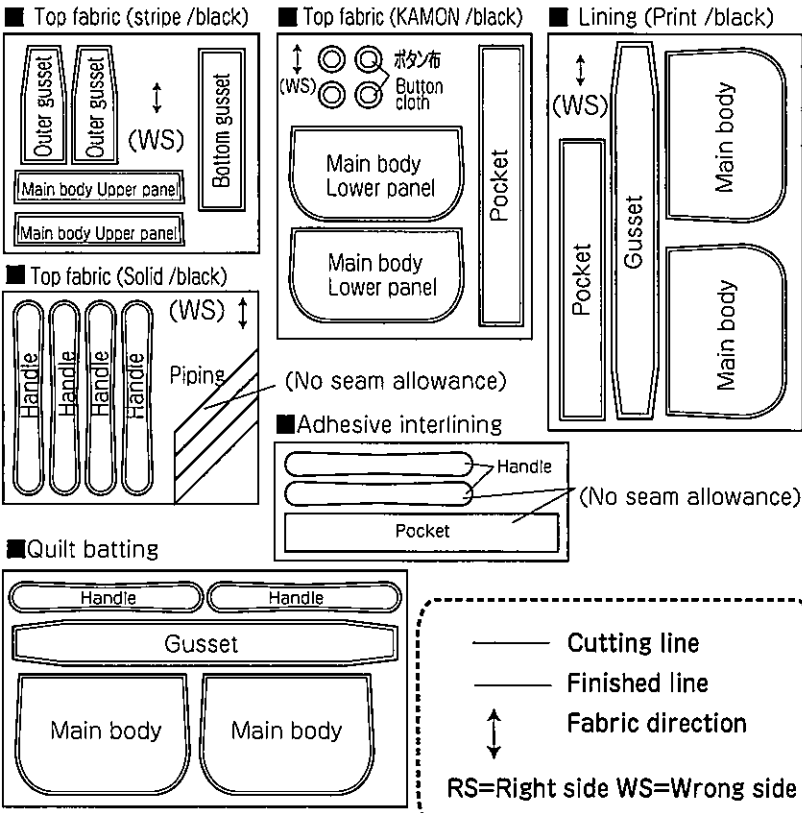
### Tips

- Use pins to avoid fabric being scooched, before stitching.
- Use one back stitch at beginning and ending.

### Read instruction fully before making.

#### Layout

- \* Put templates with face up on wrong side of fabric.
- \* Arrange all templates on fabric before cutting.
- \* Add designated size of seam allowance to template before cutting.

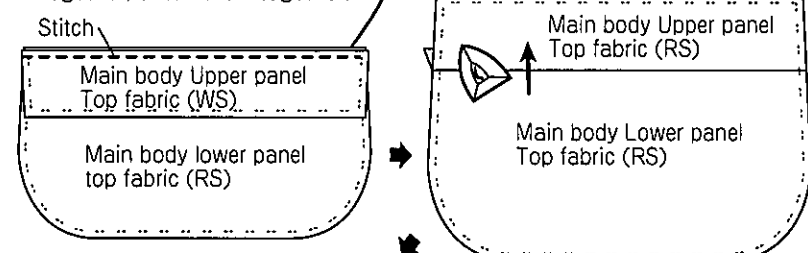


#### How to make

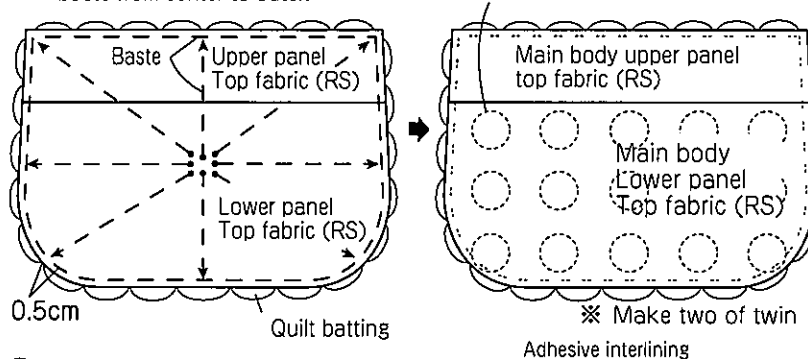
1 Cut fabric. \*Refer to "Layout" and "How to use full size template"

2 Make Outer bag. ① Make main body.

- 1 As shown, put Lower panel and Upper panel of Main body together, stitch them together.
- 2 Turn seam allowance to upper panel top fabric side.

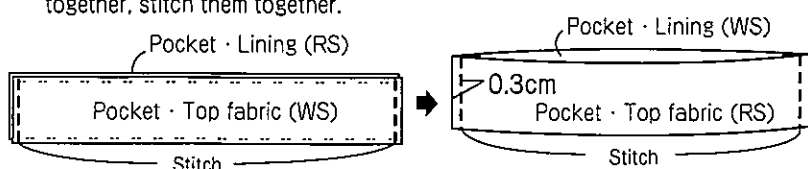


- 3 Attach 2 and quilt batting, baste from center to outer.
- 4 Stitch quilting around motifs.

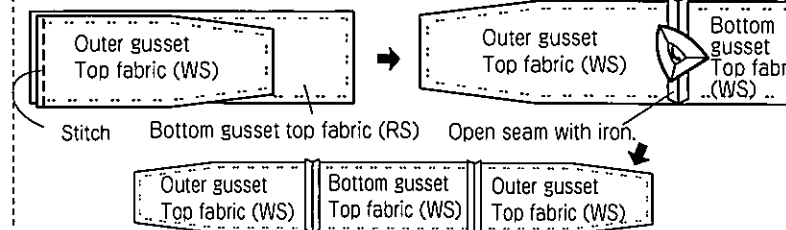


2 Make pocket and gusset.

- 1 Hold adhesive interlining to pocket fabric by pin and press it with iron.
- 2 Top fabric and bottom fabric together, stitch them together.
- 3 Turn right side out and stitch both side.

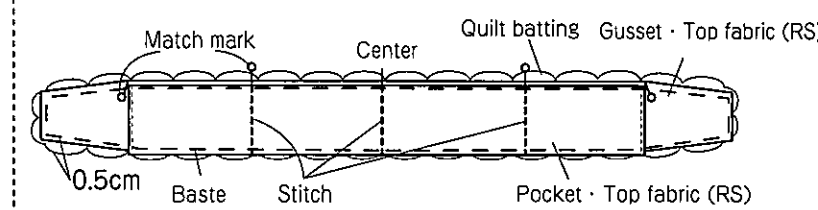


4 Stitch Outer gusset and Bottom gusset.



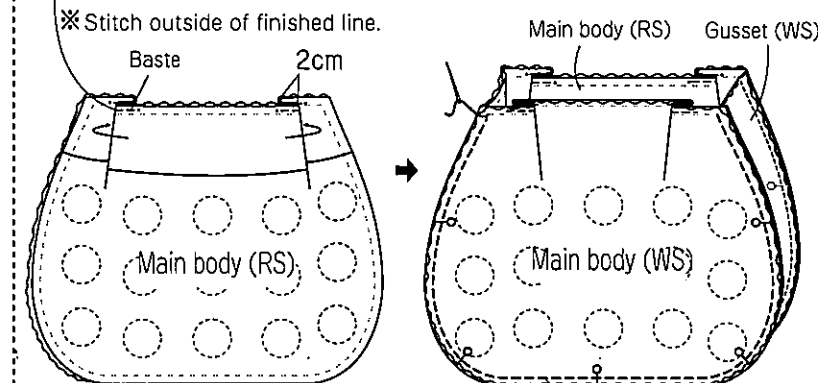
\* Stitch the other gusset fabric as same way.

5 Put match mark of Gusset together. Put Gusset and Pocket (2) on batting as shown and baste them. Stitch center and bottom seam of Pocket.



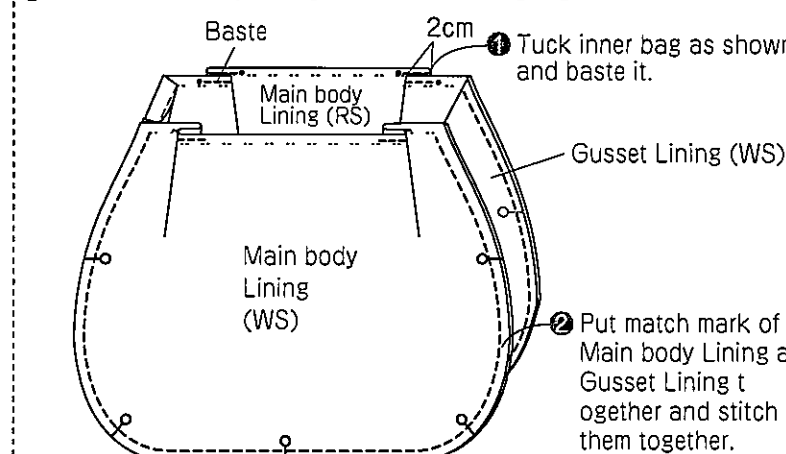
3 Stitch main body ① and gusset ② together.

- 1 Tuck main body and baste it.
- 2 Put matchmark of main body and gusset together and stitch them together.

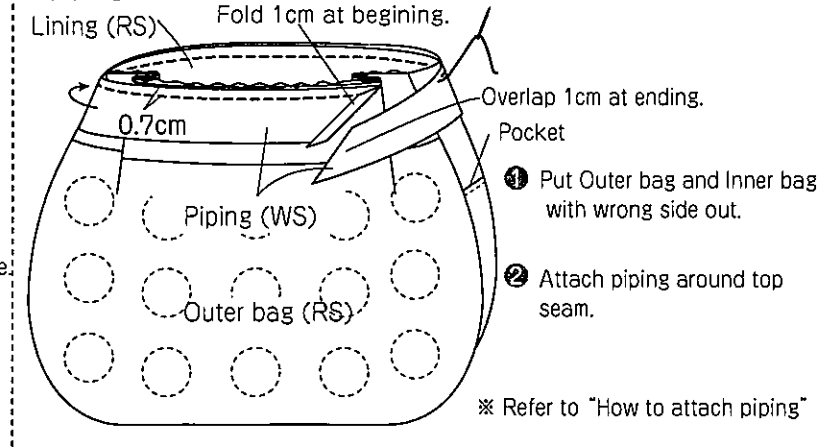


3 Make Inner bag.

① Stitch Main body Lining and Gusset Lining together.

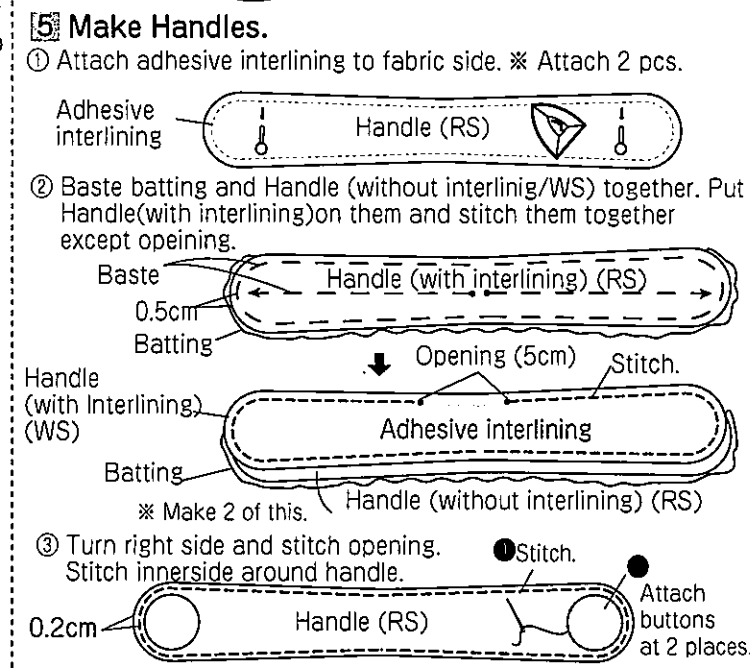


② Put wrong side of Outer bag and Inner bag together and attach piping.



#### How to attach piping

- 1 Attach piping fabric to make 1 pce.
- 2 Stitch here. 0.7cm
- 3 Wrap seam allowance with piping.
- 4 Make covered buttons. ② Pull thread and make knot.
- 5 Make Handles.



6 Attach Handles to Main body. Attach Handles to Main body with tiny stitches.

