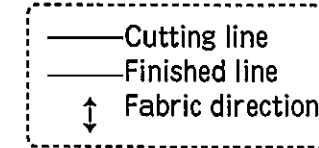
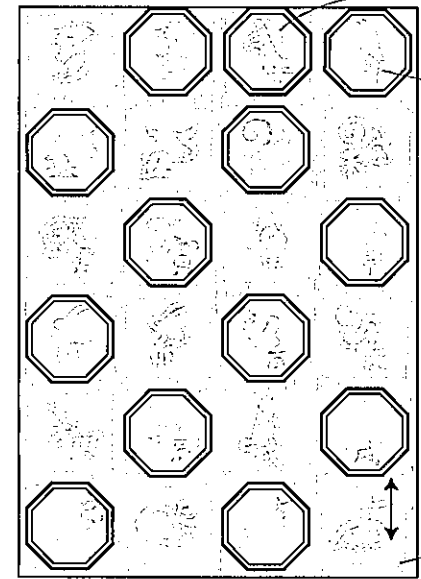


Layout

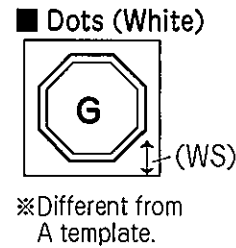
※Put template (with face up) on wrong side of fabric.
(In case of symbols, put template with face up on right side of fabric.)
※Make sure if you can take all needed parts from fabric.



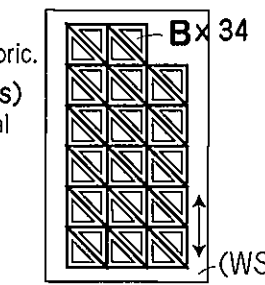
■ Oriental Zodiac (Navy)



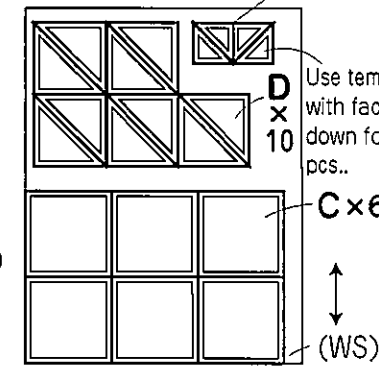
A (Navy 1pce)
※You can choose one, whichever you like from symbols in navy fabric.
A (White 1pce each of symbols)
※12 kinds of symbols, 1 each total 12 cut pieces.



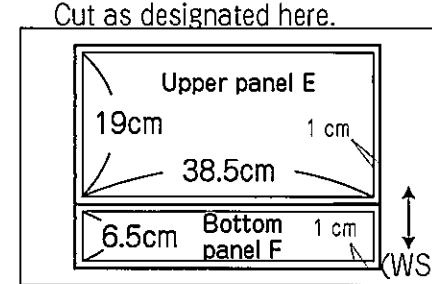
■ Solid (Light blue)



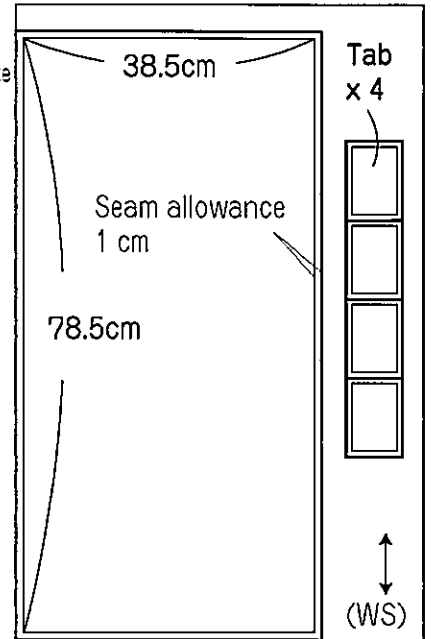
■ Sashiko pattern (Navy)



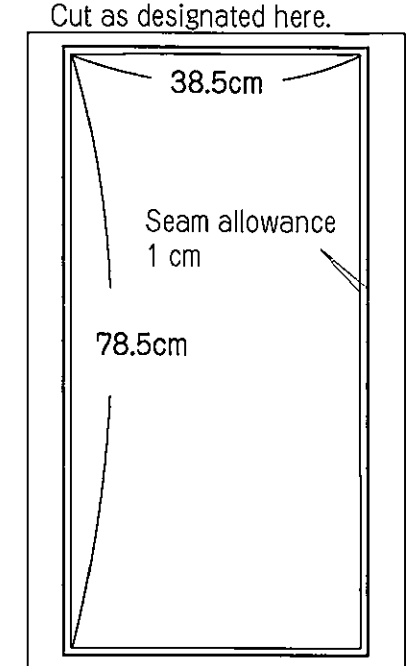
■ Stripe (Navy)



■ Lining Cut as designated here.



■ Quilt batting

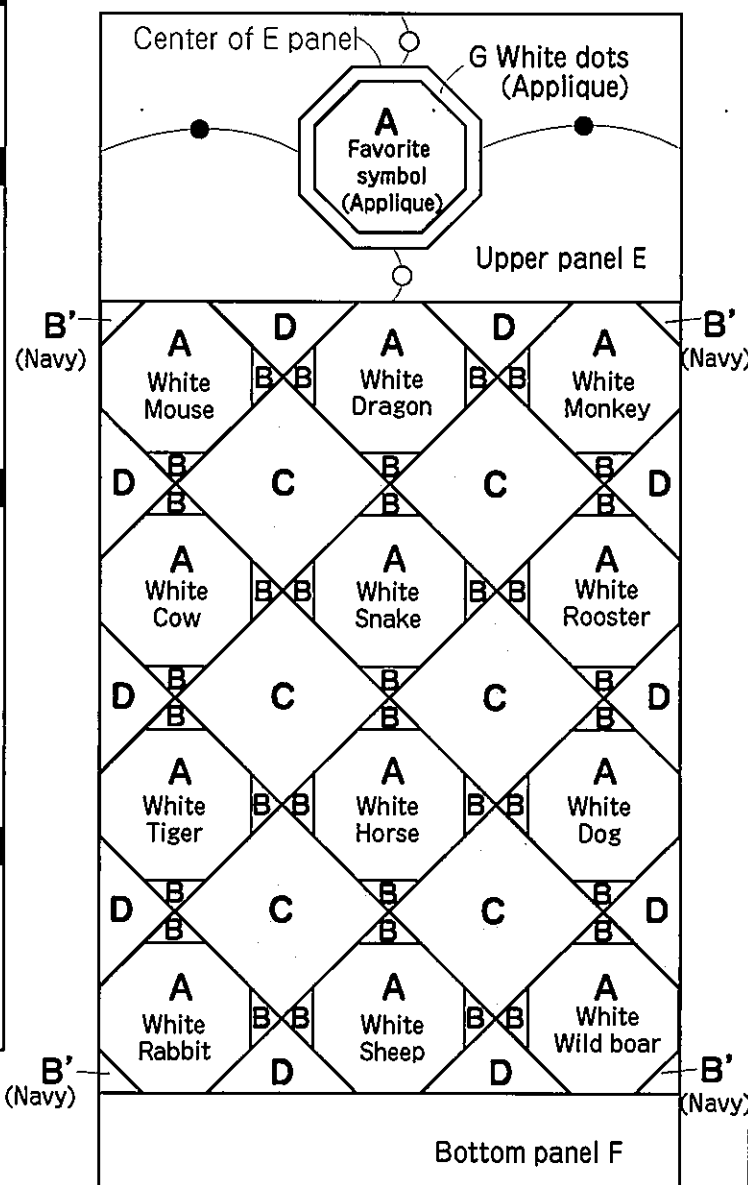


You can put your favorite symbol here.

Finished size
75 cm x 36 cm

Finished design

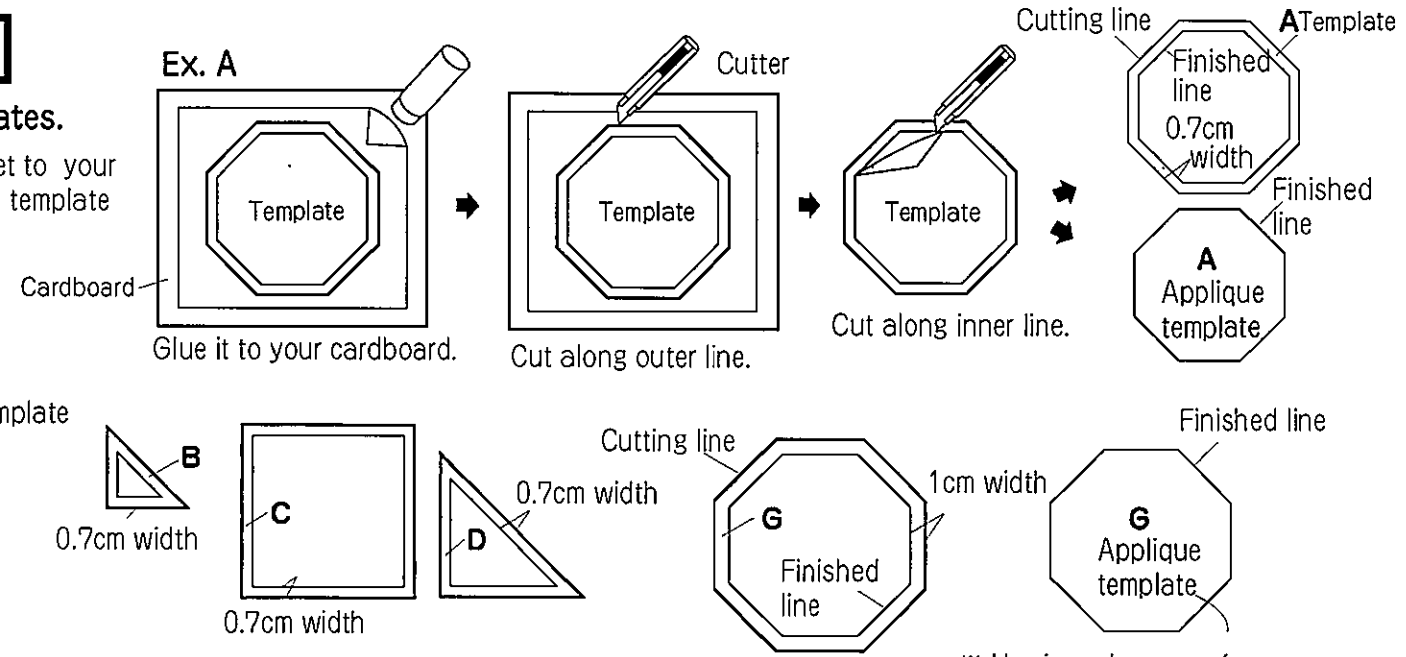
● Tapestry



How to make

1 Make templates.

※ Glue template sheet to your cardboard and cut template out.

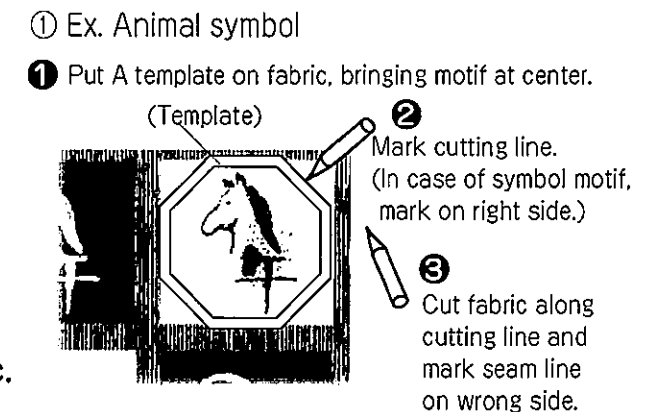


2 Mark templates on fabric and cut fabric.

※ Refer to Layout.

- Use templates made as per 1 and mark finished and seam line on fabric. (12 animal symbols: Basically add 0.7 cm of seam allowance to template however, there might be a case you need make seam allowance a little smaller.)
- Mark cutting and seam lines for upper panel E, bottom panel F, Lining and batting.
- Make sure if you mark lines for all parts before cutting.

3 Referring to finished design and cover picture, put cut fabric.



※ Use inner hexagon for applique A G

① Ex. Animal symbol

① Put A template on fabric, bringing motif at center.

② Mark cutting line. (In case of symbol motif, mark on right side.)

③ Cut fabric along cutting line and mark seam line on wrong side.

Contents

Fabric (5pcs), Lining (1pce), Batting (1pce)
Instruction, Full size template sheet

Things required

Sewing needle, Marking pin, Sewing thread (similar color to fabric), Basting thread, Scissors, Ruler, Marking pen, Iron, Cardboard paper, Stick glue, Cutter
※ Sewing machine is convenient for this kit.

How to use full size template

- Glue full size template sheet to your cardboard and cut each template out. (Refer to 1.)
- Referring to right "Layout", mark template on fabric. (Refer to 2.)
- Mark cutting and finished lines.
- Cut fabric along cutting lines.

Tips

- Use your pins to avoid fabric to be scooped.
- Use one back stitch at beginning and ending of your stitch.

4 Stitch 12 pcs of white animal symbols together.

※ Refer to finished design.

① Stitch animal fabric A, solid fabric B and Sashiko fabric B' together.

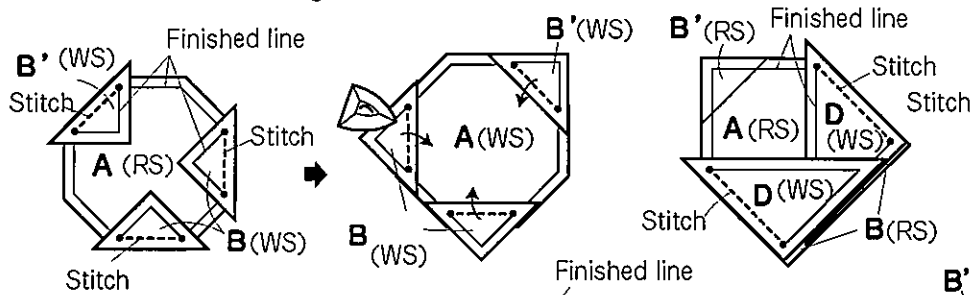
② Stitch C and D fabric to ① fabric as shown.

Ex. Upper left block

Turn seam allowance to A side.

② With right side together stitch ① and D together.

① With right side together stitch A and B, B' together.

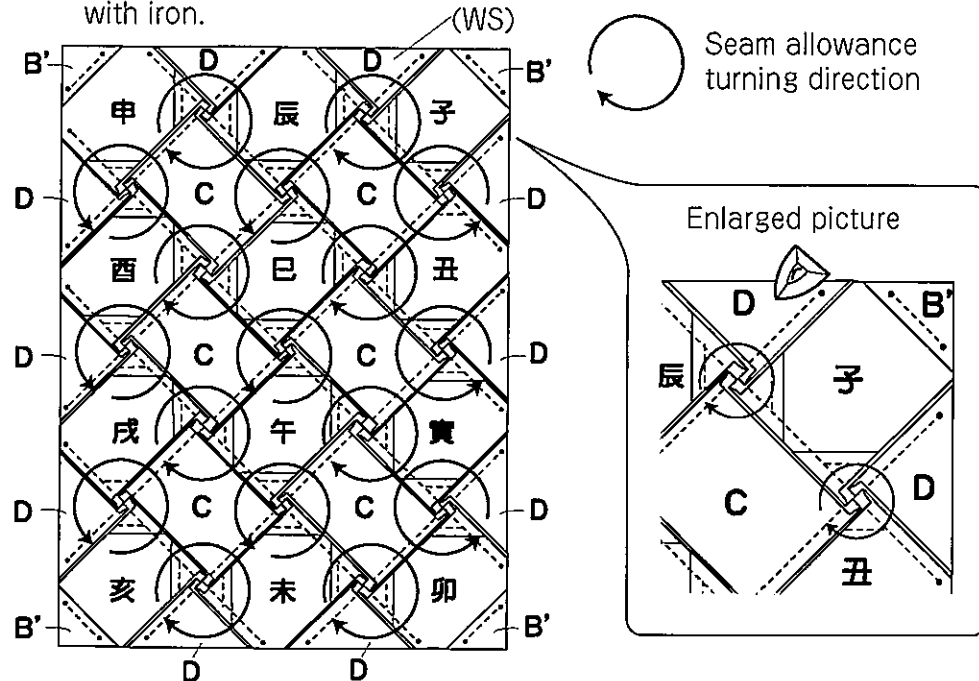


③ Refer to right picture, stitch pcs together.

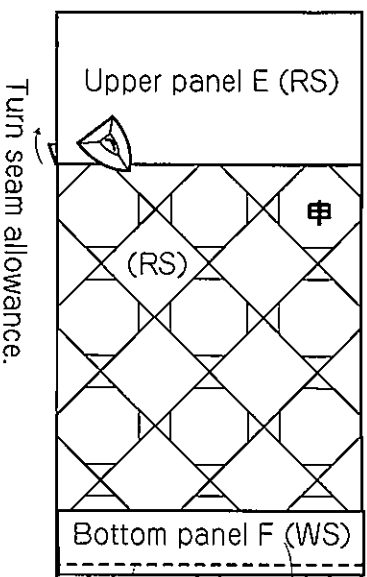
※ This is top fabric, right side.
 ※ No mark part is B.
 ※ Refer to ④, for which direction seam allowance to be turned.
 (Turn all B and B' to A side.)

Stitch blocks as shown. First stitch × then ↘.

④ Turn seam allowance with iron.



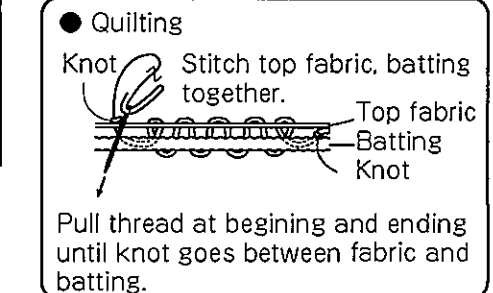
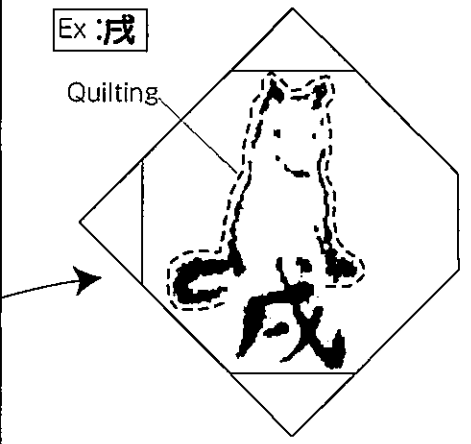
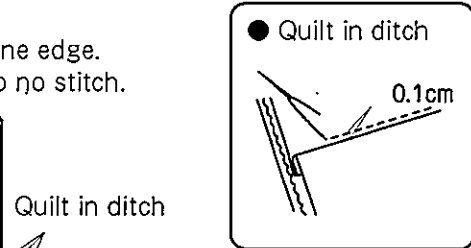
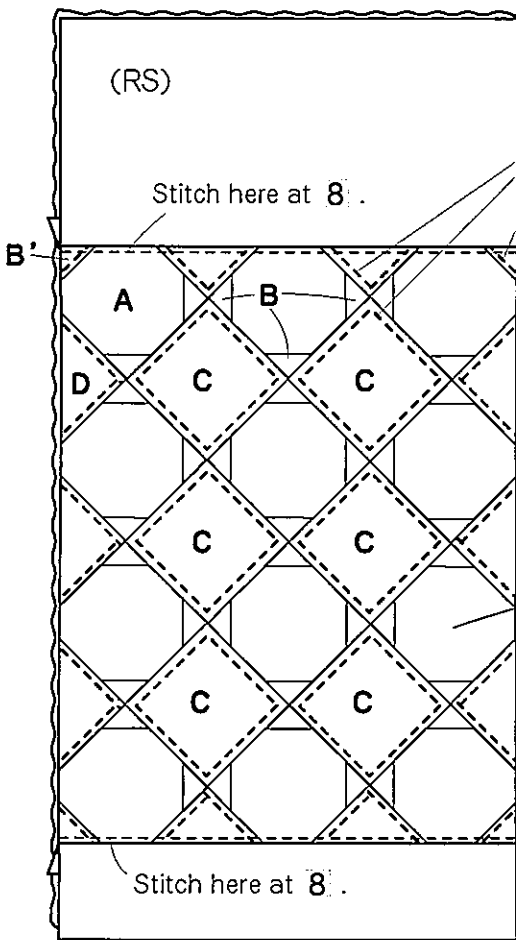
5 Stitch stripe fabric E and F to animal panel.



Depending of your stitching, size of upper and bottom panel may differs. In case of extra fabric, leave seam allowance and cut away extra fabric, after quilting.

② Quilt in ditch.

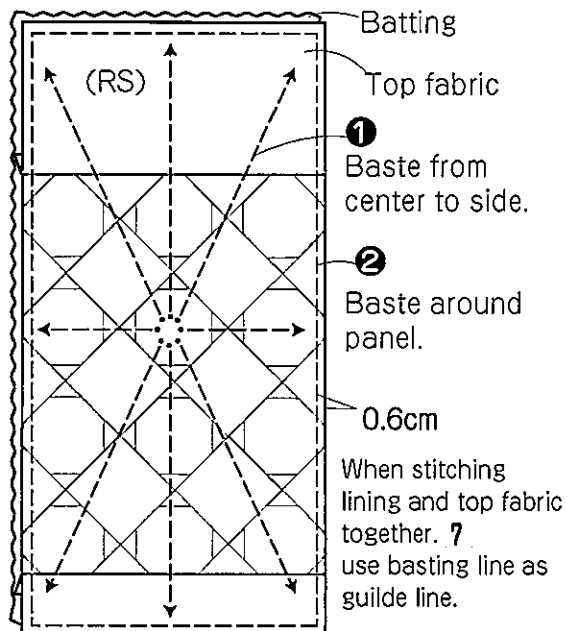
① Quilt in ditch at part where seam allowance does not turn.
 ※ C Sashiko fabric, Stitch at all edges
 ※ B' (Triangle at four corner) Stitch at one edge.
 ※ B (Triangle) A (White animal symbol) Do no stitch.



6 Stitch quilting.

① Baste as shown.

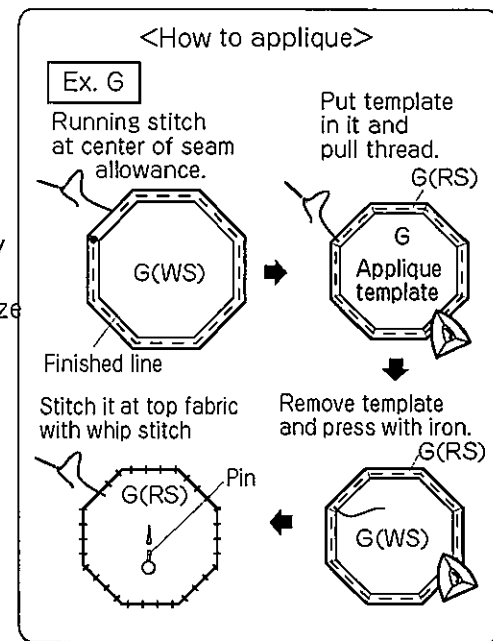
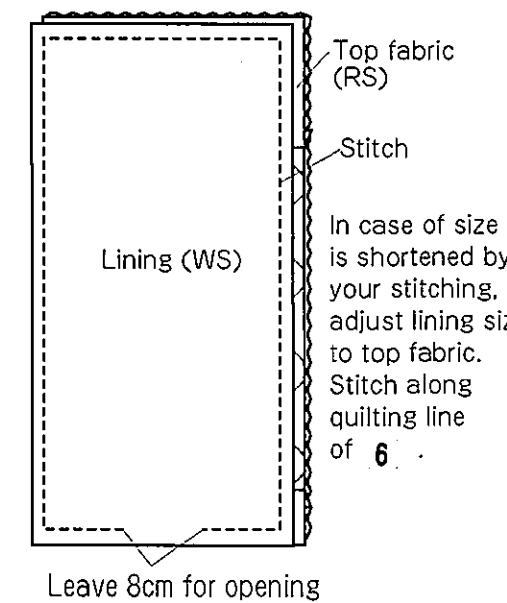
※ Fix fabric and batting with pins and baste them.



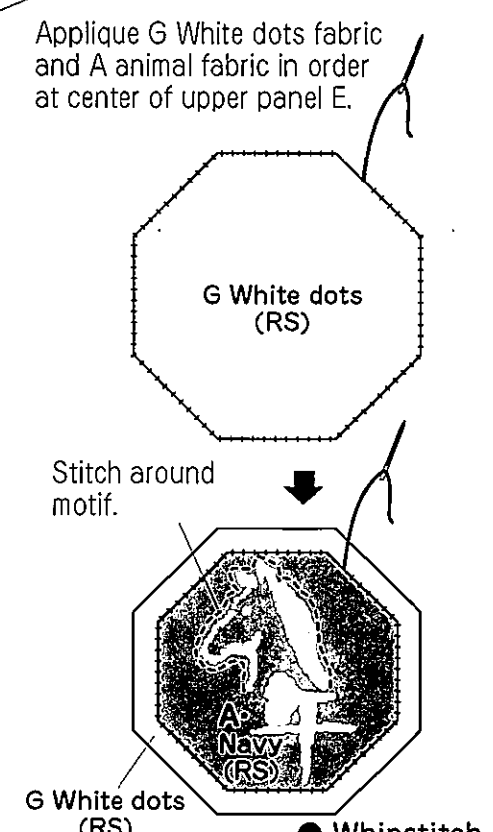
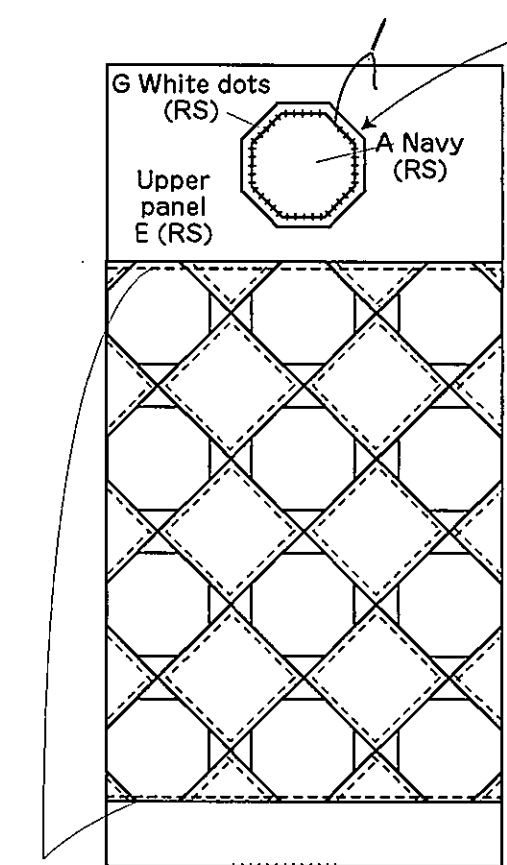
7 Stitch top fabric and lining together.

No.1 (W)/2

Put right side together, stitch top fabric and lining together.



8 Turn right side out and applique G and A on E panel.



② Quilt in ditch. (Stitch lining together.)

① Stitch opening.

[How to make tab]

